

SERIES PN PNEUMATIC CASTERS

Capacities to 675 lbs. @ 5 mph.

Standard Features

- **Demountable Tube Type Wheel Assemblies.**
- **Finish** - Corrosion Resistant Zinc.
- **Zerk Fittings/Swivel Assembly and Wheel Hub.**
- **Cold Forged Construction** for General Applications, **Hot Forged for Extended Service** in Severe Applications.
- **Ball or Roller Bearing Wheel Styles.**



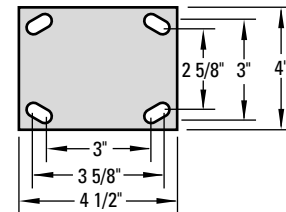
APPLICATIONS:

For moving anything freely over obstructions, yet offers the utmost in floor surface protection.

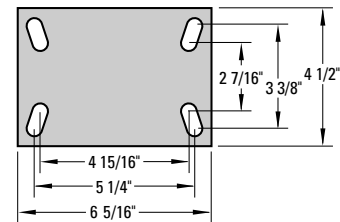


Standard Top Plate Sizes

Standard Duty/Heavy Duty

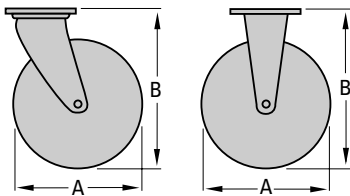


Heavy Duty / Hot Forged



Optional Features

- **Wheel Brake** (Suffix-WB)
- **4-Position Swivel Lock** (Suffix-SL)
- **Polyurethane Foam Fill** (Suffix-PF)
- **Gray Non-Marking Tire** (Suffix-G)



	Wheel Specifications					Caster Specifications						Part Number		
	Nominal Dia. "A" Inches (mm)	Ply Inches	Tire Size	Ref. to Page	Bearing Type	Axle Dia. Inches (mm)	Load Capacity lbs. (KGS)	Overall Height "B" Inches (mm)	Swivel Radius Inches (mm)	Attach. Bolt Inches (mm)	Approx. Shipping Wt.		Swivel Caster	Rigid Caster
											Swivel lbs. (KGS)	Rigid lbs. (KGS)		
Standard Duty	8 (203)	4	280/250 x 4	71	Ball	1/2 (12)	250 (113)	10 (254)	6 3/4 (170)	3/8 (10)	7.25 (35)	6.25 (2.8)	S183B-PN	R183B-PN
	10 (254)	2	410/350 x 4	71			260 (117)	12 (305)	7 1/2 (191)		9.00 (4.1)	8.00 (3.6)	S1103B-PN	R1103B-PN
	12 (305)	2	410/350 x 6	71			295 (133)	15 3/4 (400)	9 1/2 (247)		12.25 (5.5)	11.25 (5.0)	S1123B-PN	R1123B-PN
Heavy Duty	8 (203)	4	280/250 x 4	71	Roller	1/2 (12)	295 (133)	11 (279)	7 1/8 (181)	3/8 (10)	9.0 (4.1)	7.0 (3.2)	S183R-PN	R183R-PN
	10 (254)	4	410/350 x 4	71			410 (185)	13 (330)	8 3/4 (222)		11.0 (5.0)	9.0 (4.1)	S1103R-PN	R1103R-PN
	12 (305)	4	410/350 x 6	71			675 (304)	15 1/2 (394)	10 (254)		14.25 (6.5)	12.0 (5.5)	S1123R-PN	R1123R-PN
Heavy Duty/Hot Forged	8 (203)	4	280/250 x 4	71	Roller	1/2 (12)	295 (133)	11 (279)	7 1/8 (181)	3/8 (10)	12.75 (5.8)	11.0 (279)	S683R-PN	R683R-PN
	10 (254)	4	410/350 x 4	71			470 (212)	13 (330)	8 3/4 (222)		14.25 (362)	13.0 (5.0)	S6103R-PN	R6103R-PN
	12 (305)	4	410/550 x 6	71			675 (304)	15 1/2 (394)	10 (254)		17.5 (8.0)	16.0 (7.2)	S6123R-PN	R6123R-PN

SERIES SSC STEM SCAFFOLD

Capacities to 500 lbs.

Standard Features

- Produced To Meet All Standards Referenced By The Handbook Of The Scaffold Industry Association
- Cold Forged Double Ball Bearing Construction

SSC82R-MR-18



APPLICATIONS:
Rugged construction for commercial scaffolding. Stems available for all standard sizes.

Dim.	#18 Std. (Inches)	#19 Std. (Inches)
A	4	4
B	2 1/2	2 1/2
C	1 3/8	1 7/16
D	25/64	7/16

Wheel Specifications					Caster Specifications					Part Number	
Dia. "A" Inches (mm)	Tread Inches (mm)	Wheel Composition	Ref. to Page	Bearing Type	Axle Dia. Inches (mm)	Load Capacity lbs. (KGS)	Overall Height "B" Inches (mm)	Swivel Radius Inches (mm)	Approx. Shipping Wt. lbs. (KGS)	Swivel Caster	Stem Suffix
5 (127)	2 (50)	Mold-On Rubber	74	Roller	1/2 (12)	320 (144)	6 1/2 (164)	4 1/4 (107)	10.25 (4.6)	SSC52R-MR	18, 19
6 (152)	2 (50)	Mold-On Rubber	74	Roller	1/2 (12)	410 (185)	7 1/4 (183)	4 15/16 (124)	11.25 (5.0)	SSC62R-MR	
8 (203)	2 (50)	Mold-On Rubber	74	Roller	1/2 (12)	500 (225)	9 1/2 (225)	6 1/8 (154)	15.00 (7.0)	SSC82R-MR	

Note: #18 stem is generally the most popular in this series.

SERIES PSC PLATE SCAFFOLD

Capacities to 500 lbs.

Standard Features

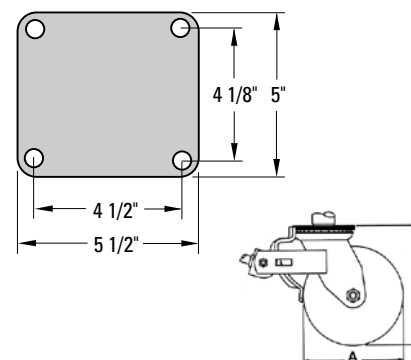
- Exceeds ICM Standards
- Ball Bearings** - Cold forged double ball bearing construction
- Brake** - Dual brake is hand or foot operated, locks both the swivel and the wheel
- Finish** - Corrosion resistant



PSC62R-MR

APPLICATIONS:
Ideal for scaffolds, racks, work platforms, stands and platform trucks.

Standard Top Plate



Wheel Specifications					Caster Specifications					Part #	
Dia. "A" Inches (mm)	Tread Inches (mm)	Wheel Composition	Ref. to Page	Bearing Type	Axle Dia. Inches (mm)	Load Capacity lbs. (KGS)	Overall Height "B" Inches (mm)	Swivel Radius Inches (mm)	Attach. Bolt Inches (mm)	Approx. Shipping Wt. lbs. (KGS)	Swivel Caster
5 (127)	2 (50)	Mold-On Rubber	74	Roller	1/2 (12)	350 (158)	6 13/16 (173)	4 1/4 (107)	3/8 (10)	10.0 (4.5)	PSC52R-MR
6 (152)	2 (50)	Mold-On Rubber	74	Roller	1/2 (12)	410 (203)	7 9/16 (191)	4 15/16 (124)	3/8 (10)	12.0 (5.4)	PSC62R-MR
8 (203)	2 (50)	Mold-On Rubber	74	Roller	1/2 (12)	500 (225)	9 13/16 (247)	6 1/8 (154)	3/8 (10)	14.5 (6.5)	PSC82R-MR

V-GROOVED CASTERS

Capacities to 15,000 lbs.

Standard Features

- Machine Face and Groove
- Zerk Fittings
- Available in Cast Iron & Forged Steel

Optional Features

- Sealed Wheel Bearing - (Suffix-SW)
- Stainless Steel (consult factory)
- Wheel Brake (see caster series)



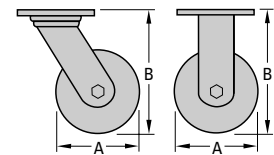
APPLICATIONS:

On-floor or On-track. Used where guidance and free flow are required. Suggested that 1 1/2" and 2" face wheels be run on 1 1/2" x 1 1/2" angle iron. For wider wheels, 2" x 2" or heavier angle iron is recommended. In order to maintain tracking, the angle may be welded to a flat steel plate which is bolted to the floor.



Top Plate Dimensions & Bolt Hole Centers

Caster Series	Thread Width inches	Top Plates inches	Bolt Hole Centers inches
Series 1, Medium Duty	1 1/2	4 x 4 1/2	2 5/8 x 3 5/8 slotted to 3 x 3
Series 1, Medium Heavy	2		
Series 4, Heavy Duty	2 1/2	4 1/2 x 6 5/16	2 7/16 x 4 15/16 slotted to 3 3/8 x 3 1/4
Series 7, Heavy Duty	2 3/4	4 1/2 x 6 1/4	2 7/16 x 4 15/16 slotted to 3 3/8 x 5 1/4
Series 8, Heavy Duty	3	5 1/4 x 7 1/4	3 3/8 x 5 1/4 slotted to 4 1/8 x 6 1/8
Series 12, ExtraHeavy Duty	4	8 1/2 x 8 1/2	7 x 7



Wheel Specifications						Caster Specifications						Part Number	
Dia. "A" Inches (mm)	Tread Inches (mm)	Wheel Composition	Ref. to Page	Bearing Type	Axle Dia. Inches (mm)	Load Capacity lbs. (KGS)	Overall Height "B" Inches (mm)	Swivel Radius Inches (mm)	Attach. Bolt Inches (mm)	Approx. Shipping Wt.		Swivel Caster	Rigid Caster
										Swivel lbs. (KGS)	Rigid lbs. (KGS)		
4 (102)	1 1/2 (38)	Cast Iron	89	Roller	1/2	600 (273)	5 5/8 (143)	3 3/4 (95)	3/8	7.5 (3.4)	7.0 (3.2)	S141R-VG	R141R-VG
	2 (50)	Cast Iron	89	Roller		800 (364)	5 5/8 (143)	3 3/4 (95)		8.0 (3.6)	7.5 (3.4)	S142R-VG	R142R-VG
5 (127)	2 (50)	Cast Iron	89	Roller	(13)	800 (364)	6 1/2 (165)	4 1/4 (108)	(10)	8.8 (4.0)	8.3 (3.7)	S152R-VG	R152R-VG
		Cast Iron	89	Roller		900 (409)	7 1/4 (184)	5 (127)		9.0 (6.0)	8.5 (5.0)	S162R-VG	R162R-VG
6 (152)	2 1/2 (100)	Cast Iron	89	Roller	3/4	1600 (727)	7 1/2 (190)	5 1/4 (133)	1/2	16.0 (7.2)	13.0 (6.0)	S4625R-VG	R4625R-VG
		Cast Iron	89	Roller		1800 (818)	10 1/8 (257)	6 1/4 (159)		18.0 (8.2)	15.0 (6.8)	S4825R-VG	R4825R-VG
6 (152)	3 (76)	Cast Iron	89	Roller	(19)	2500 (1,136)	8 (203)	5 3/8 (136)	(13)	28.0 (12.7)	20.0 (9.1)	S863R-VG	R863R-VG
		Cast Iron	89	Roller		2500 (1,136)	10 1/2 (267)	6 5/8 (168)		32.0 (14.5)	26.0 (11.8)	S883R-VG	R883R-VG
8 (203)	4 (102)	Forged Steel	89	Roller	1 1/4	8350 (3,795)	11 (279)	7 1/4 (184)	5/8 (16)	61.0 (27.7)	48.0 (21.8)	S1284R-VF	R1284R-VF
		Forged Steel	89	Tapered Roller		14000 (6,363)				61.0 (27.7)	48.0 (21.8)	S1284T-VF	R1284T-VF
10 (254)	3 (75)	Cast Iron	89	Roller	3/4 (19)	3000 (1,363)	12 1/2 (318)	7 5/8 (184)	1/2 (13)	38.0 (17.3)	31.0 (14.0)	S8103R-VG	R8103R-VG
		Forged Steel	89	Roller		8350 (3,795)				80.0 (36.6)	64.0 (29.1)	S12104R-VF	R12104R-VF
	4 (102)	Forged Steel	89	Tapered Roller	1 1/4 (32)	14000 (6,363)	15 (381)	9 1/2 (241)	5/8 (16)	80.0 (36.6)	64.0 (29.1)	S12104T-VF	R12104T-VF