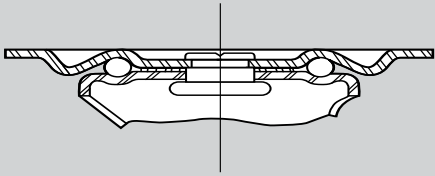


# SERIES 01/02 GENERAL DUTY

Capacities to 450 lbs.

## Standard Features

- **Swivel Casters** - Horn and bearing raceway are formed from a single piece of heavy gauge steel, deeply corrugated to withstand stress and prevent distortion under full rated load



- **Load Bearing** - Single row of hardened, polished ball bearings roll freely in a large diameter, lubricated raceway
- **King Pin** - Riveted and coined for durability in rated service
- **Wheel Bearings** - Plain, self lubricating and roller bearings are available
- **Finish** - Corrosion resistant zinc

## Optional Features

- **Wheel Brake** - (Suffix **-WB**)  
Shown where available
- **Thread Guards** - (Suffix **-TG**)



01-SRP-2

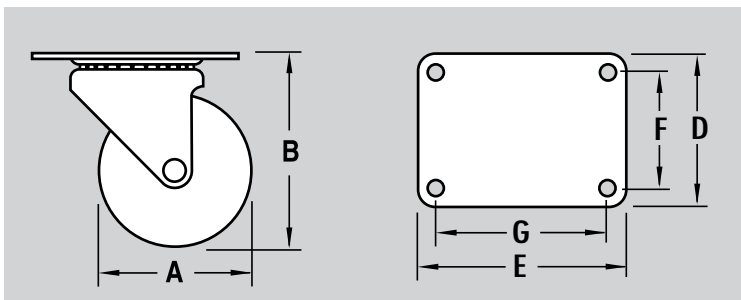


01-SRP-3-WB-TG

**APPLICATIONS:**  
A popular series caster for moving dollies, carts and general warehouse use. Recommended where use is intermittent and absent of extreme shock or impact.

## TOP PLATE DIMENSIONS AND MOUNTING HOLE SPACING

### 01 Series Swivel



Wheel Size (Inches)	Size of Top Plate D x E (Inches)	Mounting Hole Spacing F x G (Inches)
2	1 7/8 x 2 9/16	15/16 x 2 1/8
2 1/2	2 3/4 x 3 13/16	1 3/4 x 3
3	3 1/8 x 4 1/8	2 3/8 x 3 3/8 to 3 7/16
4	4 x 5 1/8	3 x 4

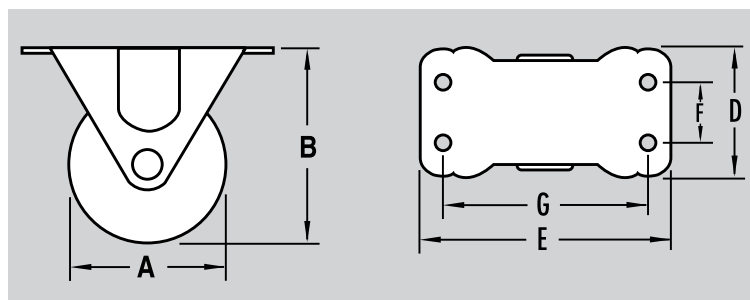
Wheel Specifications					Caster Specifications						Part Number								
Dia. "A" Inches (mm)	Tread Inches (mm)	Wheel Composition	Ref. to Page	Bearing Type	Axle Dia. Inches (mm)	Load Capacity lbs. (KGS)	Overall Height "B" Inches (mm)	Swivel Radius Inches (mm)	Attach. Bolt Inches (mm)	Approx. Shipping Wt.		Swivel Caster	Rigid Caster						
										Swivel lbs. (KGS)	Rigid lbs. (KGS)								
2 (50)	1 (25)	Sintered Iron	86	Plain	1/4 (6)	150 (67)	2 1/2 (60)	1 3/4 (44)	1/4 (6)	.90 (.40)	.70 (.32)	01-SIP-2	02-SIP-2						
		Soft Rubber	73	Self Lube		90 (40)				.50 (.23)	.40 (.18)	01-SRP-2	02-SRP-2						
		Soft Rubber	73	Self Lube		90 (40)				.50 (.23)	.40 (.18)	01-SRP-2-WB*	—						
		Hard Rubber	84	Self Lube		150 (67)				.50 (.23)	.40 (.18)	01-HRP-2	02-HRP-2						
		Hard Rubber	84	Self Lube		150 (67)				.50 (.23)	.40 (.18)	01-HRP-2-WB*	—						
		Polyolefin (Blk)	81	Plain		150 (67)				.50 (.23)	.40 (.18)	01-PBP-2	02-PBP-2						
2 1/2 (60)	1 (25)	Sintered Iron	86	Plain	5/16 (8)	200 (90)	3 1/4 (83)	2 1/4 (57)	5/16 (8)	1.8 (.81)	1.0 (.45)	01-SIP-25	02-SIP-25						
	1 1/8 (29)	Soft Rubber	73	Self Lube		100 (45)				1.1 (.50)	.80 (.36)	01-SRP-25	02-SRP-25						
		Hard Rubber	84	Self Lube		200 (90)				1.1 (.50)	.80 (.36)	01-HRP-25	02-HRP-25						
		Polyolefin (Blk)	81	Plain		200 (90)				1.0 (.45)	.80 (.36)	01-PBP-25	02-PBP-25						
3 (76)	1 5/16 (33)	Sintered Iron	86	Plain	3/8 (10)	300 (135)	3 13/16 (97)	2 7/16 (62)	5/16 (8)	2.2 (1.0)	1.8 (.81)	01-SIP-3	02-SIP-3						
		Cast Iron	86	Roller		300 (135)				2.6 (1.2)	2.0 (.90)	01-SSR-3	02-SSR-3						
		Soft Rubber	73	Self Lube		175 (79)				1.5 (.68)	1.3 (.59)	01-SRP-3	02-SRP-3						
		Soft Rubber	73	Self Lube		175 (79)				1.5 (.68)	1.3 (.59)	01-SRP-3-WB*	—						
		Soft Rubber	73	Roller		175 (79)				1.5 (.68)	1.3 (.59)	01-SRR-3	02-SRR-3						
		Hard Rubber	84	Self Lube		270 (121)				1.5 (.68)	1.3 (.59)	01-HRP-3	02-HRP-3						
		Hard Rubber	84	Self Lube		270 (121)				1.5 (.68)	1.3 (.59)	01-HRP-3-WB*	—						
		Hard Rubber	84	Roller		270 (121)				1.5 (.68)	1.3 (.59)	01-HRR-3	02-HRR-3						
		Phenolic	82	Plain		300 (135)				1.5 (.68)	1.5 (.68)	01-PHP-3	02-PHP-3						
		Phenolic	82	Roller		300 (135)				1.5 (.68)	1.5 (.68)	01-PHR-3	02-PHR-3						
		Polyolefin (Blk)	81	Plain		270 (121)				1.5 (.68)	1.5 (.68)	01-PBP-3	02-PBP-3						
		Polyolefin (Wt)	81	Plain		270 (121)				1.5 (.68)	1.5 (.68)	01-PWP-3	02-PWP-3						
		4 (102)	1 1/2 (38)	Sintered Iron		86				Plain	7/16 (12)	450 (202)	5 (127)	3 3/16 (97)	3/8 (10)	4.5 (2.0)	3.5 (1.6)	01-SIP-4	02-SIP-4
				Cast Iron		86				Roller		450 (202)				4.9 (2.2)	3.9 (1.8)	01-SSR-4	02-SSR-4
1 5/8 (41)	Soft Rubber		73	Self Lube	225 (101)	3.2 (1.4)	2.6 (1.2)	01-SRP-4	02-SRP-4										
	Soft Rubber		73	Self Lube	225 (101)	3.3 (1.5)	2.7 (1.2)	01-SRP-4-WB*	—										
	Soft Rubber		73	Roller	225 (101)	3.3 (1.5)	2.7 (1.2)	01-SRR-4	02-SRR-4										
	Hard Rubber		84	Self Lube	350 (157)	3.2 (1.4)	2.6 (1.2)	01-HRP-4	02-HRP-4										
	Hard Rubber		84	Self Lube	350 (157)	3.3 (1.5)	2.7 (1.2)	01-HRP-4-WB*	—										
	Hard Rubber		84	Roller	350 (157)	3.2 (1.4)	2.6 (1.2)	01-HRR-4	02-HRR-4										
	Phenolic		82	Roller	450 (202)	3.3 (1.5)	2.7 (1.2)	01-PHR-4	02-PHR-4										
	Polyolefin (Blk)		81	Plain	350 (157)	3.0 (1.35)	2.2 (1.0)	01-PBP-4	02-PBP-4										

\* WB (with brake)



02-PBP-3

### TOP PLATE DIMENSIONS AND MOUNTING HOLE SPACING 02 Series Rigid



Wheel Size (Inches)	Size of Top Plate D x E (Inches)	Mounting Hole Spacing F x G (Inches)
2	1 1/2 x 2 21/32	15/16 x 2 1/8
2 1/2	2 1/4 x 4 7/16	1 1/16 x 3 1/2
3	2 1/2 x 4 15/16	1 3/16 x 4
4	3 1/8 x 6 1/4	1 3/4 x 5