

# LEVELERS

Capacities up to  
43,000 lbs.

## APPLICATIONS:

- Business machines, peripherals
- Assembly and manufacturing machinery
- Medical and laboratory equipment
- Any device requiring leveling for uneven floors or work surfaces



### LIGHT DUTY LEVELERS - Series LLD

- Peripherals, test equipment, etc. up to 500 lbs (227 kg) capacity each.
- Bases: Delrin<sup>®</sup>, non-skid, anti-vibration, steel, stainless to 2" diameter.
- Imperial stem sizes from 8-32 to 1/2" - 13 x 1/2" to 4" long.
- Metric stem sizes available on many models.



### MEDIUM DUTY LEVELERS - Series LMD

- Mainframes, UPS units, etc. up to 2,400 lbs (1,090 kg) capacity each.
- Bases: Delrin<sup>®</sup>, non-skid, anti-vibration, steel, stainless to 4" diameter.
- Imperial stem sizes from 10-24 to 1" - 8 x 1" to 4 1/4" long.
- Metric stem sizes from M-6 to M-24 x 38.8mm to 88mm long.



### HEAVY DUTY LEVELERS - Series LHD

- Machinery & equipment of all types to 43,000 lbs (19,543 kg) capacity each.
- Bases: Delrin<sup>®</sup>, non-skid, steel, and stainless to 5" diameter.
- Imperial stem sizes from 3/8" .16 to 1 1/4" - 7 x 6" long.
- Metric stem sizes from M-10 to M-24 x 51mm to 88mm long.



## BASE MATERIALS



NON-SKID (NS)



DELRIN<sup>®</sup> (D)



STEEL (S)



STAINLESS (SS)



ANTI-VIBRATION  
- AV (OPTIONAL)

## LEVELER STEMS



IMPERIAL  
THREAD



METRIC THREAD  
(OPTIONAL)



STAINLESS STEEL  
(OPTIONAL)



DELRIN<sup>®</sup>  
(OPTIONAL)

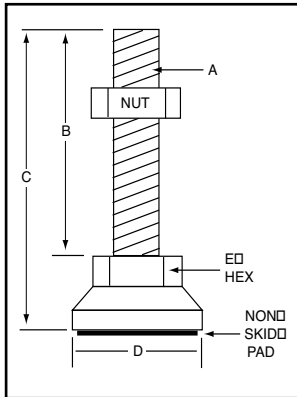


THREADED  
SOCKET

# LEVELERS

## General Purpose Group

- Capacities to 500 lbs.
- Stems from 8-32 to 1/2" diameters. Up to 6" long  
Metric sizes available from M-6 to M-24 x up to 152.4mm long
- All base materials available



### STYLES ON THIS PAGE



Steel Base

**A**



Steel Base

**B**



Nylon Base

**C**



Non-Skid Base

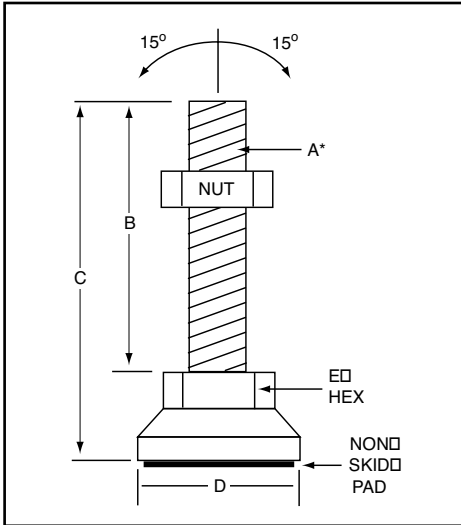
**D**

STEM SIZE "A"	STEM LENGTH "B"	TOTAL HEIGHT "C"	BASE DIAMETER "D"	HEX YES/NO "E"	BASE STYLE	MAXIMUM STATIC LOAD (lbs)	PART NUMBER
<b>LIGHT DUTY (SERIES LLD):</b>							
8 - 32	1/2" *	1 3/16"	1 1/16"	NO	A	75	LLD-S- A-801
1/4 -20	1/2"	3 1/32"	7/8"	NO	B	100	LLD-S-B-1401
1/4 -20	1"	1 7/16"	7/8"	NO	B	100	LLD-S-B-1402
1/4 -20	1/2"	7/8"	1 1/16"	NO	B	100	LLD-S-B-1403
1/4 -20	1/2"	1 5/16"	1 1/8"	NO	C	100	LLD-N-C-1404
1/4 -20	1"	1 1/16"	1 1/16"	NO	B	100	LLD-S-B-1406
1/4 -20	1"	1 13/32"	1 1/8"	NO	C	100	LLD-N-C-1407
5/16 -18	1 1/2"	1 3/4"	1 1/2"	NO	C	150	LLD-N-C-502
5/16 -18	1"	1 9/16"	1 3/8"	NO	D	125	LLD-N-D-503
5/16 -18	1 1/2"	2"	1 1/4"	NO	B	125	LLD-S-B-504
5/16 -18	1 1/2"	2 1/8"	1 3/4"	YES	D	150	LLD-NS-D-506
5/16 -18	2"	2 25/32"	1 3/8"	YES	D	150	LLD-N-D-507
3/8 -16	1"	1 5/16"	1 1/4"	NO	B	250	LLD-S-B-301
3/8 -16	1 1/2"	2 9/32"	1 3/8"	NO	D	250	LLD-NS-D-303
3/8 -16	1 1/2"	2 9/32"	1 11/16"	YES	D	350	LLD-N-D-304
3/8 -16	3" **	3 3/4"	1 3/8"	YES	D	250	LLD-NS-D-305
3/8 -16	3 1/2"	4 5/16"	1 11/16"	YES	D	250	LLD-NS-D-306
3/8 -16	3 1/2"	4 5/16"	1 11/16"	YES	D	350	LLD-N-D-307
1/2 -13	2 1/2"	3 3/8"	1 11/16"	YES	D	500	LLD-NS-D-1201
1/2 -13	3" **	3 7/8"	1 11/16"	YES	D	500	LLD-NS-D-1202
1/2 -13	4" **	4 3/4"	1 11/16"	YES	D	500	LLD-NS-D-1203
Note: * Indicates "Nut Included", ** Indicates "Stem Top Slotted for Screwdriver"							

# LEVELERS

## Professional Group

- Capacities to 43,000 lbs.
- Large load pad
- 15° swivel - hardened ball stud
- Gold chromate zinc finish Standard. Black chromate finish available
- Steel, stainless steel, Delrin® and non-skid bases
- Stud or socket style bases
- Jam nut included
- Specials available
- Metric sizes available



### STYLES ON THIS PAGE



**E**



**F**

STUD SOCKET SIZE "A"	STUD LENTH "B"	TOTAL HEIGHT "C"	BASE DIA. "D"	MAX STATIC LOAD (LBS)	STANDARD STUD "E" PART NUMBER	STAINLESS STUD "E" PART NUMBER	STANDARD SOCKET "F" PART NUMBER	STAINLESS SOCKET "F" PART NUMBER
<b>MEDIUM DUTY (SERIES LMD) &amp; HEAVY DUTY (SERIES LHD):</b>								
<b>STEEL BASE:</b>								
10-32	1"	1 17/32"	3/4"	700	LMD-S-E-1001	LMD-SS-E-2001	LMD-S-F-1001	LMD-SS-F-2001
1/4-20	1 1/4"	1 61/64"	1"	1,000	LMD-S-E-1002	LMD-SS-E-2002	LMD-S-F-1002	LMD-SS-F-2002
3/8-16	2"	2 7/8"	1 1/4"	3,750	LHD-S-E-1001	LHD-SS-E-2001	LHD-S-F-1001	LHD-SS-F-2001
1/2-13	2"	3 1/8"	1 7/8"	5,000	LHD-S-E-1002	LHD-SS-E-2002	LHD-S-F-1002	LHD-SS-F-2002
5/8-11	2"	3 1/4"	2 1/2"	6,000	LHD-S-E-1003	LHD-SS-E-2003	LHD-S-F-1003	LHD-SS-F-2003
3/4-10	2"	3 1/2"	3"	7,400	LHD-S-E-1004	LHD-SS-E-2004	LHD-S-F-1004	LHD-SS-F-2004
1-8	4 1/4"	6 1/8"	4"	20,000	LHD-S-E-1005	LHD-SS-E-2005	LHD-S-F-1005	LHD-SS-F-2005
1 1/4-7	6"	8 3/4"	6"	43,000	LHD-S-E-1006	LHD-SS-E-2006	LHD-S-F-1006	LHD-SS-F-2006
<b>NON-SKID BASE:</b>								
10-32	1"	1 21/32"	3/4"	150	LLD-NS-E-1001	LLD-NS-E-2001	LLD-NS-F-1001	LLD-NS-F-2001
1/4-20	1 1/4"	2 5/64"	1"	200	LLD-NS-E-1002	LLD-NS-E-2002	LLD-NS-F-1002	LLD-NS-F-2002
3/8-16	2"	3"	1 1/4"	300	LLD-NS-E-1003	LLD-NS-E-2003	LLD-NS-F-1003	LLD-NS-F-2003
1/2-13	2"	3 1/4"	1 7/8"	700	LMD-NS-E-1001	LMD-NS-E-2001	LMD-NS-F-1001	LMD-NS-F-2001
5/8-11	2"	3 3/8"	2 1/2"	1,200	LMD-NS-E-1002	LMD-NS-E-2002	LMD-NS-F-1002	LMD-NS-F-2002
3/4-10	2"	3 5/8"	3"	1,800	LMD-NS-E-1003	LMD-NS-E-2003	LMD-NS-F-1003	LMD-NS-F-2003
1-8	4 1/4"	6 1/4"	4"	2,000	LMD-NS-E-1004	LMD-NS-E-2004	LMD-NS-F-1004	LMD-NS-F-2004
1 1/4-7	6"	8 7/8"	6"	38,000	LHD-NS-E-1001	LHD-NS-E-2001	LHD-NS-F-1001	LHD-NS-F-2001
<b>DELRIN® BASE:</b>								
10-32	1"	1 17/32"	3/4"	150	LLD-D-E-1001	LLD-D-E-2001	LLD-D-F-1001	LLD-D-F-2001
1/4-20	1 1/4"	1 61/64"	1"	200	LLD-D-E-1002	LLD-D-E-2002	LLD-D-F-1002	LLD-D-F-2002
3/8-16	2"	2 7/8"	1 1/4"	300	LLD-D-E-1003	LLD-D-E-2003	LLD-D-F-1003	LLD-D-F-2003
1/2-13	2"	3 1/8"	1 7/8"	700	LMD-D-E-1001	LMD-D-E-2001	LMD-D-F-1001	LMD-D-F-2001
5/8-11	2"	3 1/4"	2 1/2"	1,200	LMD-D-E-1002	LMD-D-E-2002	LMD-D-F-1002	LMD-D-F-2002
3/4-10	2"	3 1/2"	3"	1,800	LMD-D-E-1003	LMD-D-E-2003	LMD-D-F-1003	LMD-D-F-2003
1-8	4 1/4"	6 1/8"	4"	2,000	LMD-D-E-1004	LMD-D-E-2004	LMD-D-F-1004	LMD-D-F-2004
1 1/4-7	6"	8 3/4"	6"	3,200	LHD-D-E-1001	LHD-D-E-2001	LHD-D-F-1001	LHD-D-F-2001

\* No stud included with Socket Model "F" Levelers "

# LEVELERS

## Thermoplastic Base Group

- Capacities to 4,500 lbs.
- Reinforced black polyamide (nylon) footplate
- Stud-zinc plated steel standard. Stainless and metric available
- Non-skid, black, NBR rubber pad. 70A shore hardness
- Stainless jam nut included

### STYLES ON THIS PAGE



**G**



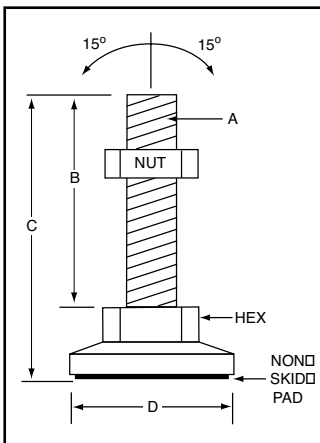
**H**



**J**



**MODEL J WITH HOLES**



STEM SIZE "A"	STEM LENGTH "B"	TOTAL HEIGHT "C"	BASE DIA. "D"	STYLE & BASE MAT'L	MAX. STATIC LOAD (lbs)	PART NUMBER
5/8"-11	5.91"	7.64"	2.36"	G - Nylon	450	LLD-N-G-3001
5/8"-11	5.91"	7.64"	2.36"	G - Non-Skid	450	LLD-NS-G-3002
5/8"-11	5.91"	7.72"	4.02"	H - Nylon	2250	LMD-N-H-3001
5/8"-11	5.91"	7.72"	4.02"	H - Non-Skid	2250	LMD-NS-H-3002
5/8"-11	5.91"	8.13"	4.33"	J - Nylon	4500	LHD-N-J-3001
5/8"-11	5.91"	8.13"	4.33"	J - Non Skid	4500	LHD-NS-J-3002
3/4"-10	5.91"	7.64"	2.36"	G - Nylon	450	LLD-N-G-4001
3/4"-10	5.91"	7.64"	2.36"	G - Non-Skid	450	LLD-NS-G-4002
3/4"-10	5.91"	7.72"	4.02"	H - Nylon	2250	LMD-N-H-4001
3/4"-10	5.91"	7.72"	4.02"	H - Non-Skid	2250	LMD-NS-H-4002
3/4"-10	5.91"	8.13"	4.33"	J - Nylon	4500	LHD-N-J-4001
3/4"-10	5.91"	8.13"	4.33"	J - Non Skid	4500	LHD-NS-J-4002

\*STYLE "J" MAY BE DRILLED FOR (2) .45 INCH MOUNTING HOLES.



THREAD SIZE	TUBE SIZE O.D. (in)	TUBE WALL THICKNESS (in)	MAX. STATIC LOAD (lbs)	PART NUMBER
<b>ROUND:</b>				
5/8"- 11	1.5"	.065"	1125	RD-100
5/8"-11	2.0"	.065"	1125	RD-200
3/4"-10	2.0"	.065"	1800	RD-300
<b>SQUARE:</b>				
5/8"-11	1.5"	.065"	1125	SQ-100
5/8"-11	2.0"	.065"	1125	SQ-200
3/4"-10	1.5"	.065"	1800	SQ-300
3/4"-10	2.0"	.065"	1800	SQ-400

# LEVELERS

## Special Purpose

**MHS offers levelers for every imaginable device - high tech, medical, industrial, food processing.**



**LOW PROFILE STYLE "K"**

- Capacity 1,500-6,000 lbs
- Steel or stainless
- 3/8" -16 to 3/4" -10 studs up to 6" long
- Steel or vibration dampening bases
- Zinc plated
- 15° swivel



**ANTI-VIBRATION MODEL "L"**

- Capacity 50 to 27,100 lbs
- Steel or stainless
- Imperial or metric
- Stud or socket styles
- 3/8" -16 to 1 1/4" -7 studs up to 6" long.
- Possible to reduce transmitted vibration of most machinery up to 98%



**ANTI-VIBRATION MODEL "M"**

- Machine mounts to 4,140 lbs
- Zinc plated or zinc/safety yellow finish
- M12 - M20 stud
- Vibration element. NBR black, oil resistant rubber. Hardness 80 shore "A"



**STEEL BASE MODEL "N"**

- Capacity to 2,250 lbs
- Steel or stainless 3/4" -10, 1 1/8" -7, M-20, M-24 or M-30 studs
- 8° swivel
- With or without mounting holes



**100% DELRIN MODEL "P"**

- All Delrin® stud and base
- Capacity to 300 lbs.
- 3/8"-16 to 5/8"-11 studs up to 2" long



**YOUR CUSTOM LEVELER**

- Custom designed to fit your application
- Any material
- Any finish
- Any size